



Surge Protection Device

TN SERIES



SPD designed for UL 1449 Third Edition & CE Listed

Design Features:

- ANSI/IEEE C62.41 Location C, B, & A.
- Ideal for mounting next to switchgear, MCC, distribution panels, branch panels and critical loads
- High energy fail-safe parallel hybrid design with component level fusing
- Solid-state bi-directional protection technology

Performance:

- Surge currents per phase: 60, 80, 100, 120
- Regulatory Listings: UL 3rd Edition Certified, Type 2 SPD; CE Marked
- All mode protection L-G, L-N, N-G, L-L where applicable
- 4 Discrete modes of protection L-N, N-G
- LED Indicators per phase
- Response time: Less than .5 nanoseconds
- Life Cycle Tested: 3,000 Cat. C3 High Exposure Impulses with ≤ 10% degradation
- Operating frequency: 47-400Hz; Operating temperature: -40C to +70C
- Enclosure: NEMA 4X (IP56); UL94-5V; Fiberglass reinforced polyester; Non-corrosive; Water resistant; Dust tight; Impact resistance
- Pre-wired with #10AWG leads
- Size: 7.5 x 5.5 x 4.75 (19 x14x12cn); Weight: 10lbs/4.5kg
- Warranty: 10 Years FREE REPLACEMENT

MODEL NUMBER SELECTION GUIDE

GS-	TN-	XXX	XXXX
	<u>Surge Current/Phase</u>		<u>Voltage Code</u>
	060		1P240 (Single phase 240)
	080		1S240 (Split phase 240)
	100		3Y208 (120/208Y)
	120		3Y380 (220/380Y)
			3Y480 (277/480Y)
			240D (240Δ Delta)
			380D (380Δ Delta)
			480D (480Δ Delta)

Part Number Example: GS-TS-100-1P240



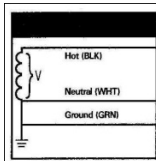
10417 Casa Grande Circle, Spring Hill, Florida, USA 34608
Tel. 352.684.2880 Fax 352.684.2875 info@globalsolutionsllc.com

www.globalsolutionsllc.com

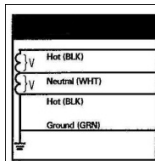


Surge Protection Device

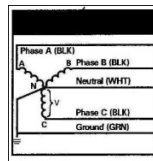
TN SERIES



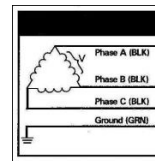
SINGLE POLE
1 Hot, 1 Neu, 1 Gnd



SPLIT
2 Hots, 1 Neu, 1 Gnd



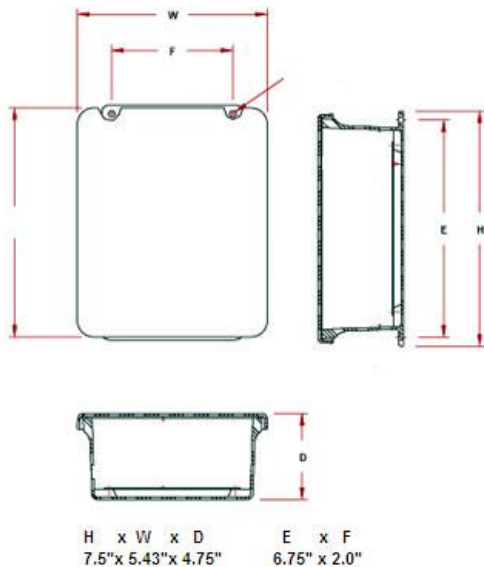
WYE
3 Hots, 1 Neu, 1 Gnd



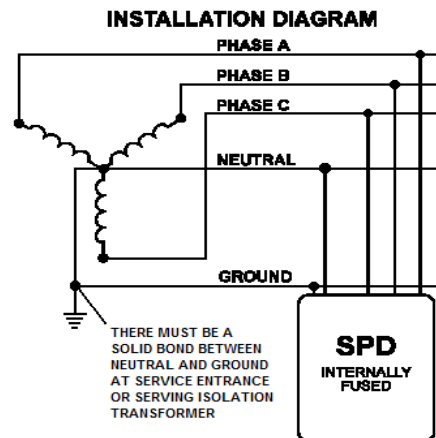
DELTA
3 Hots, 1 Gnd

UL 1449 3rd Edition 6KV/3KA VPL (Voltage Protection Level)

Model Number	System Configuration	MCO V	UL Voltage Protection Ratings			
			L-N	L-G	N-G	L-L
GS-TN-XXX-1P240	1Ø, 240v; 2W+G	320V	1000	1800	1000	1800
GS-TN-XXX-1S240	1Ø, 120/240v; 3W+G	150V	600	1000	600	1000
GS-TN-XXX-3Y208	3Ø 120/208v wye; 4W+G	150V	600	1000	600	1000
GS-TN-XXX-3Y380	3Ø 220/380v wye; 4W+G	320V	1000	1800	1000	1800
GS-TN-XXX-3Y480	3Ø 277/480v wye; 4W+G	320V	1000	1800	1000	1800
GS-TN-XXX-240D	3Ø 240 Delta 3W+G	320V	N/A	1000	N/A	1800
GS-TN-XXX-380D	3Ø 240 Delta 3W+G	550V	N/A	1800	N/A	2500
GS-TN-XXX-480D	3Ø 240 Delta 3W+G	550V	N/A	1800	N/A	2500



Typical 3Ø
wye (star)
Installation



We are constantly seeking to improve our products and specifications are subject to change at any time.



10417 Casa Grande Circle, Spring Hill, Florida, USA 34608
Tel. 352.684.2880 Fax 352.684.2875 info@globalsolutionsllc.com
www.globalsolutionsllc.com