



Surge Protection Device

TL SERIES



Our full featured SPD that incorporates high-energy MOVs with the best performing AC filter on the market to provide protection against externally and internally generated transients and noise.

Design Features:

- ANSI/IEEE C62.41 Location C, & B
- SPD according to IEC 61643-1 Class I, II
- Ideal for mounting next to switchgear, MCCs, distribution panels, and branch panels
- High energy fail-safe parallel hybrid design with component level fusing
- Solid-state bi-directional protection

Performance:

- Surge currents per phase (Imax): 120, 160, 200, 250, 320, and 400kA
- Nominal discharge surge current In: 60, 80, 100, 125, 160, and 2000kA
- Regulatory Listings: UL 3rd Edition Certified, Type 1 & Type 2 SPD; CE Marked
- All mode protection: L-G, L-N, N-G, L-L
- 200kAIC fault current rating
- Green LED fault indicators for each phase
- Form C dry relay contacts NC & NO
- Response time: Less than .05 nanoseconds
- Life Cycle Tested: 5,000 Cat. C3 High Exposure Impulses with ≤ 10% degradation
- Operating frequency: 47-400Hz; Operating temperature: -40C to +70C
- Advanced EMI Filter frequency range: -45dB at 3kHz to 1MHz
- Enclosure: NEMA 12 (IP52); Painted Steel
- Pre-wired with #10AWG leads
- Size: -11.5 x 8 x 6 (292x203x157.5mm); Weight: 15lbs/7.5kg
- Warranty: 10 Years FREE REPLACEMENT

MODEL NUMBER SELECTION GUIDE

GS-	TL-	XXX	XXXX	X-X-X-X
	<u>Surge Current/Phase</u>		<u>Voltage Code</u>	<u>Options</u>
	120		1P240 (Single phase 240)	F- -45 dB Transient filter
	160		1S240 (Split phase 240)	FA- -55 dB Advanced Power filter
	200		3Y208 (120/208Y)	C- Resettable surge counter
	250		3Y380 (220/380Y)	A- Alarm, audible, Red LED
	300		3Y480 (277/480Y)	Remote relay contacts
	400		240D (240Δ Delta)	BF- Bottom fed wires
			380D (380Δ Delta)	
			480D (480Δ Delta)	

Part Number Example: GS-TL-200-3Y380-F-C-A



10417 Casa Grande Circle, Spring Hill, Florida, USA 34608
 Tel. 352.684.2880 Fax 352.684.2875 info@globalsolutionsllc.com
www.globalsolutionsllc.com

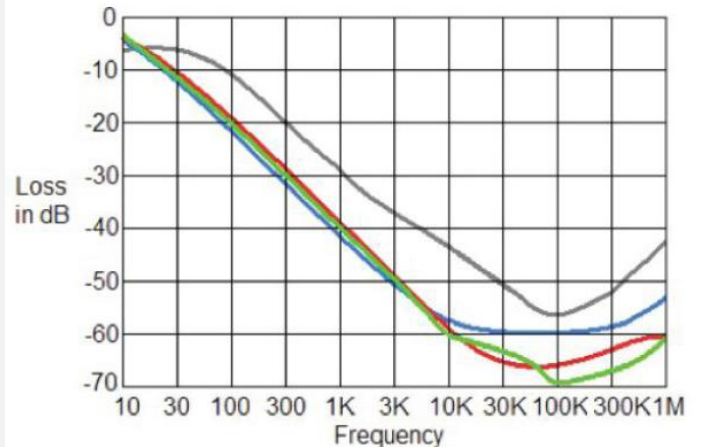
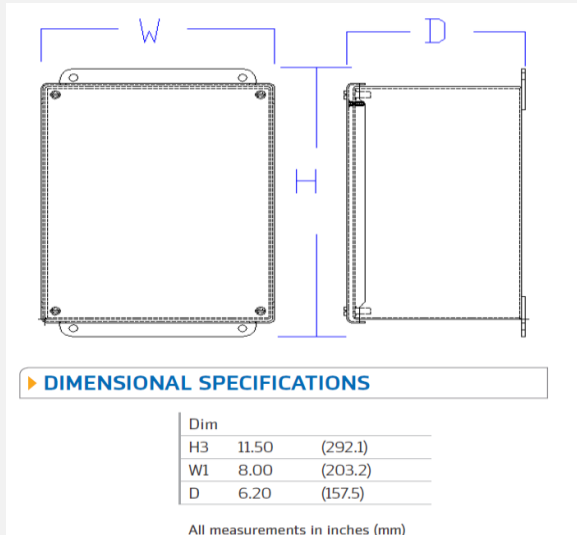


Surge Protection Device

TL SERIES

UL 1449 3rd Edition 6KV/3KA VPL (Voltage Protection Level)

Model Number	System Configuration	MCOV U _c	UL Voltage Protection Ratings			
			L-N	L-G	N-G	L-L
GS-TLXXX-1P240	1Ø, 240v; 2W+G	320V	1000	1000	1000	1800
GS-TKXXX-1S240	1Ø, 120/240v; 3W+G	150V	700	700	700	1000
GS-TLXXX-3Y208	3Ø 120/208v wye; 4W+G	150V	700	700	700	1000
GS-TLXXX-3Y380	3Ø 220/380v wye; 4W+G	320V	1000	1000	1000	1800
GS-TLXXX-3Y480	3Ø 277/480v wye; 4W+G	320V	1000	1000	1000	1800
GS-TLXXX-240D	3Ø 240v Delta	320V	N/A	1000	N/A	1800
GS-TLXXX-380D	3Ø 380v Delta	550V	N/A	1800	N/A	2500
GS-TLXXX-480D	3Ø 480v Delta	550V	N/A	1800	N/A	2500



Grey Line represents Tracker -45 db Filter
Red & Green lines represents Tracker -55 db Power Filter



We are constantly seeking to improve our products and specifications are subject to change at any time.



10417 Casa Grande Circle, Spring Hill, Florida, USA 34608
Tel. 352.684.2880 Fax 352.684.2875 info@globalsolutionsllc.com
www.globalsolutionsllc.com