



The Challenger™ Series

Features

- Patented CAD2 diaphragm technology
- NSF Standard 61, CE/PED, WRAS, ACS, ISO-9001, Gost approved
- Stainless steel water connection
- Condensation reducing design
- Two part polyurethane, epoxy primed paint finish
- Leak free air valve cap sealed with closed cell foam
- Comprehensive testing
- No maintenance

Challenger™ tanks are ideally suited for a wide range of applications, including booster systems, thermal expansion, heating expansion, irrigation systems, and hydraulic hammer arresting.

Water Chamber, Patented Controlled Action Design:

Efficient and cost effective, Challenger™ tanks are designed with a patented controlled action CAD2 diaphragm assembly. It features a chlorine resistant 100% butyl diaphragm with a precision molded copolymer polypropylene liner for superior air and water separation. The CAD2 diaphragm assembly is clenched together with a positive lock internal clench ring which contains drawdown water in a pre-charged air atmosphere, thus providing separation between the diaphragm and tank wall. This "air buffer" design means few problems with condensation. Constructed with a FDA approved high grade butyl, the diaphragm assembly seals water in a true non-corrosive chamber.

The stainless steel port diffuser and system connection directs water into the tank agitating it as it enters, in order to suspend debris and solids to prevent clogging the port.

On the exterior, the almond colored two part polyurethane paint finish over an epoxy undercoating provides hundreds of hours of UV and salt spray protection.

The air chamber is sealed with a fixed o-ring and closed cell foam and will provide many years of leak free and service free life.

Challenger™ tanks are quality tested at several stages on the production line to insure the structural integrity of every tank.

Challenger™ tanks are the best pressure vessels available in the market today and represent the best value for the investment.

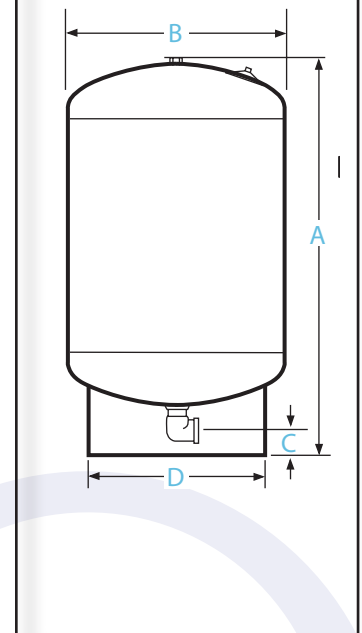
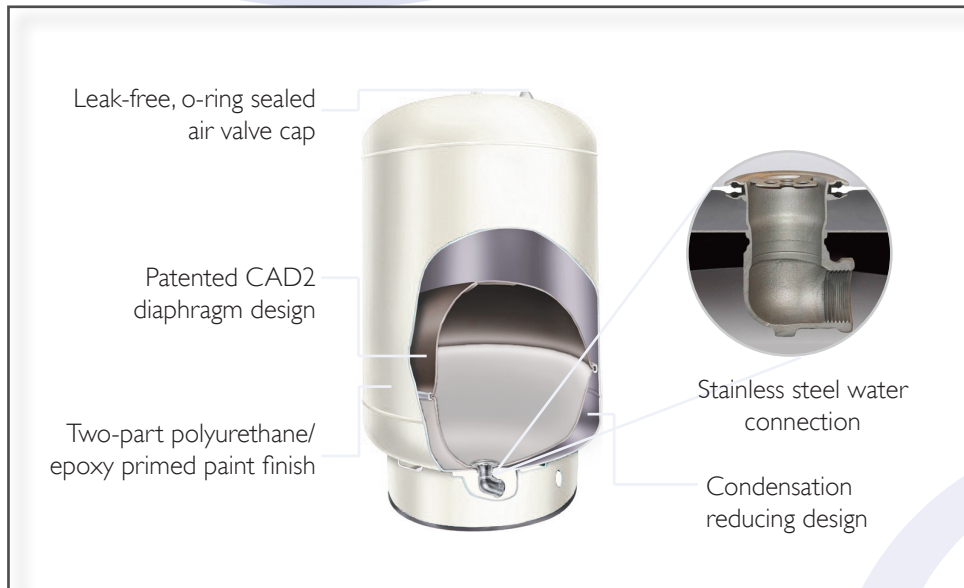


Model #'s		Dimensions								Volume		Shipping (box) Volume		Shipping (box) Weight	
BSP	NPT	A		B		C		D							
		cm	inches	cm	inches	cm	inches	cm	inches	liter	gal	cu. M	cu. ft	kilos	lbs
GC60	115	57.1	22.5	40.6	16	4.8	1.9	32.4	12.75	60	15	0.1	3.65	12.46	27.5
GC80	120	74.9	29.5	40.6	16	4.8	1.9	32.4	12.75	80	20	0.14	4.74	15.4	34
GC100	125	88.9	35	40.6	16	4.8	1.9	32.4	12.75	100	25	0.16	5.68	18.57	41
GC130	135	110.5	43.5	40.6	16	4.8	1.9	32.4	12.75	130	35	0.2	7.08	23.1	51
GC170	145	93.9	37	53.3	21	5.59	2.2	43.1	17	170	45	0.29	10.14	29.9	66
GC240	160	121.2	47.8	53.3	21	5.59	2.2	43.1	17	240	60	0.37	13.18	36.47	80.5
GC310	180	150	59.1	53.3	21	5.59	2.2	43.1	17	310	80	0.46	16.25	45.4	100
GC325	185	114.3	45	66	26	5.59	2.2	54	21.25	325	85	0.53	18.93	53.45	118
GC450	1120	152.9	60.2	66	26	5.59	2.2	54	21.25	450	120	0.7	26.14	69.31	153

System Connection:

Models GC60 - GC130: 1" B.S.P. stainless steel elbow
 Models GC170 – GC450: 1 ¼" B.S.P. stainless steel elbow
 Models 115 - 135: 1" N.P.T. stainless steel elbow
 Models 145 - 1120: 1 1/4" N.P.T. stainless steel elbow

Standard Precharge: 38 psi/2.6 bar
 Maximum working temperature 200° F/90° C
 Maximum working pressure 150 psi/10bar



<p>EUROPE, MIDDLE EAST, AFRICA 9a Parc d'Activité Syrdall L-5365 Munsbach Luxembourg Tel: +352 263 507 73 15 EFax: +1 781 658 2511</p>	<p>ASIA 241 Sec. I Shen Lin Road Daya, Taichung County Taiwan, 428 Tel: +886 4 2560 5017 EFax: +1 781 658 2511</p>	<p>AMERICAS P.O. Box #782 300 Pond Street Randolph, MA 02368 U.S.A. Tel: +1 781 607 2607 EFax: +1 781 658 2511</p>	<p>REGISTERED OFFICE P.O. Box #415 Templar House - Don Road St. Helier - JE4 8WH Jersey The Channel Islands</p>
---	---	---	--



E-mail: info@globalwatersolutions.com www.globalwatersolutions.com

