

The

C²

Lite CADTM Series

If you are looking for the proven performance of a GWS steel tank in a lightweight composite design, C2-Lite CAD series is the answer. Efficient and cost effective, C2-Lite CAD tanks are designed with the patented controlled action diaphragm design of GWS Challenger tanks. Unlike other composite tanks that hide tired old bag technology in a plastic shell, the patented CAD-2 diaphragm design is stronger and will not crease and wear out. It features a chlorine resistant 100% butyl diaphragm with a precision molded copolymer polypropylene liner for superior air and water separation. This patented design allows each size tank to have a properly sized water chamber matched to the drawdown performance of that tank. C2-Lite CAD tanks are easy to install, weather resistant and engineered to withstand even extreme environmental conditions. When it comes to performance and durability, the GWS C2-Lite CAD design cannot be beat.

C2-Lite CAD tanks are quality tested at several stages on the production line to insure the structural integrity of every tank.

C2-Lite CAD tanks represent the best value for the investment and are the best quality composite vessels available today.



Features

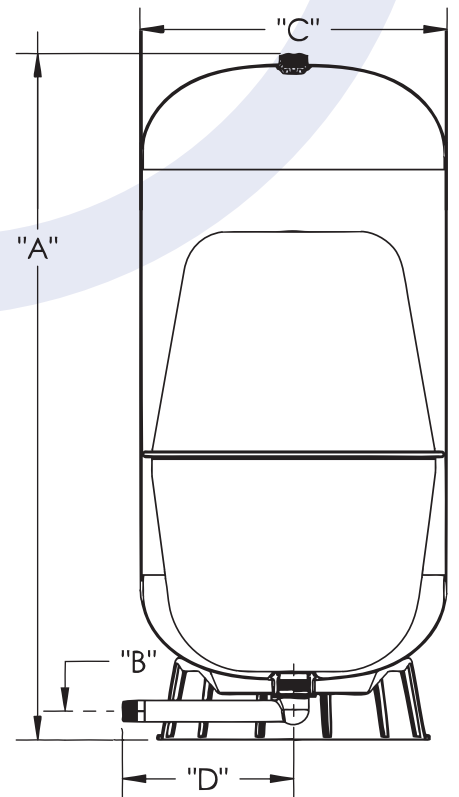
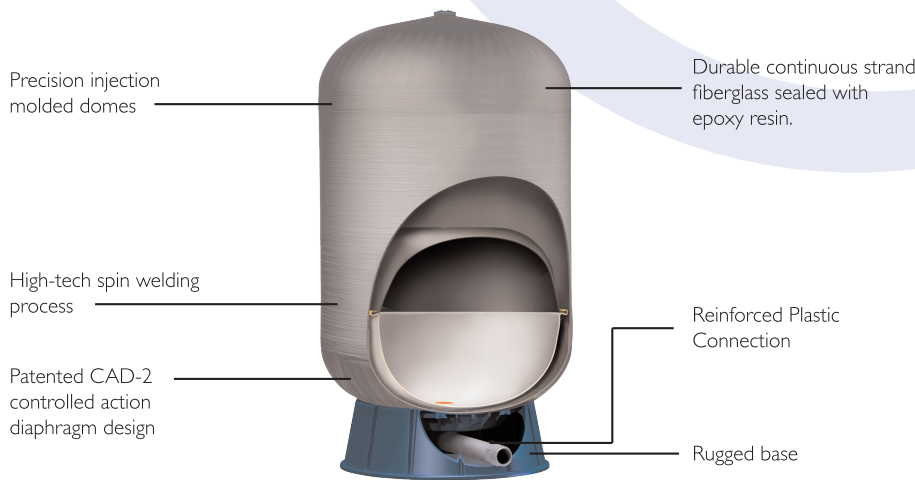
- Patented CAD-2 diaphragm technology
- Unique 3 piece construction
- Reinforced Plastic Connection
- Durable continuous strand fiberglass sealed with epoxy resin
- Rugged copolymer polypropylene base
- Quality brass air stem with o-ring seal
- No sweat design
- Comprehensive testing
- No maintenance



C² Lite CAD

Model #'s		Dimensions								Volume		Shipping (box) Volume		Shipping (box) Weight	
BSP	NPT	A		B		C		D		liter	gal	cu. M	cu. ft	kilos	lbs
		cm	in.	cm	in.	cm	in.	cm	in.						
C2B-60	C2N-15	64.9	25.6	4.5	1.7	41.8	16.5	23.88	9.4	60	15	0.12	4.3	5.0	11.1
C2B-80	C2N-20	85.2	33.5	4.5	1.7	41.8	16.5	23.88	9.4	80	22	0.16	5.6	6.6	14.5
C2B-100	C2N-25	96.7	38.1	4.5	1.7	41.8	16.5	23.88	9.4	100	26	0.18	6.3	8.0	17.7
C2B-130	C2N-35	122.7	48.3	4.5	1.7	41.8	16.5	23.88	9.4	130	35	0.23	8.0	9.9	21.7
C2B-200	C2N-50	109.8	43.2	5.7	2.3	54.2	21.4	30.23	11.9	200	50	0.34	12.0	16.5	36.4
C2B-250	C2N-65	130.3	51.3	5.7	2.3	54.2	21.4	30.23	11.9	250	65	0.4	14.2	21.7	47.9
C2B-300	C2N-80	164.4	64.7	5.7	2.3	54.2	21.4	30.23	11.9	300	82	0.5	17.8	28.4	62.7
C2B-350	C2N-90	144.8	57.0	5.7	2.3	61.4	24.2	34.04	13.4	350	90	0.57	20.1	31.2	68.7
C2B-450	C2N-120	183.1	72.1	5.7	2.3	61.4	24.2	34.04	13.4	450	119	0.72	25.4	42.1	92.8

Max. Working Pressure 8.6 BAR / 125 PSI • Max. Working Temperature 120° F / 50° C
 Connection C2B-60 - C2B-130 1" BSP • C2B-200-C2B-450 1 1/4" BSP • C2N-15 - C2N-35 1" NPT
 C2N-50 - C2N-120 1 1/4" NPT
 Standard pre-charge 2.6 bar / 38 psi



<p>EUROPE, MIDDLE EAST, AFRICA 9a Parc d'Activité Syrdall L-5365 Munsbach Luxembourg Tel: +352 263 507 73 15 E Fax: +1 781 658 2511</p>	<p>ASIA 241 Sec. 1 Shen Lin Road Daya, Taichung County Taiwan, 428 Tel: +886 4 2560 5017 E Fax: +1 781 658 2511</p>	<p>AMERICAS P.O. Box #782 300 Pond Street Randolph, MA 02368 U.S.A. Tel: +1 781 607 2607 E Fax: +1 781 658 2511</p>	<p>REGISTERED OFFICE P.O. Box #415 Templar House - Don Road St. Helier - JE4 8WH Jersey The Channel Islands</p>
--	--	--	--